

SEACOMP

PRODUCT CHANGE NOTIFICATION (PCN)

PCN NUMBER PCN20001	DATE January 2, 2020
CUSTOMER(S) ALL CUSTOMERS	
PROJECT(S) AFFECTED Displaytech standard items: 32122A series	
EFFECTIVE DATE / OTHER REFERENCE • January 1, 2020	

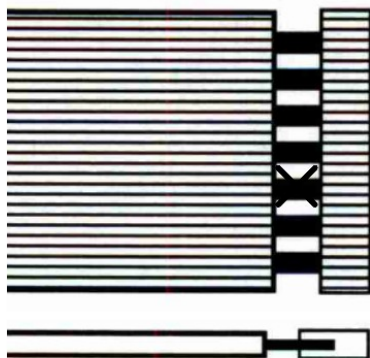
DESCRIPTION OF CHANGE(S)

REASON FOR THE CHANGE(S)

The original FFC was EOL, and no other manufacturer can provide the same FFC design.

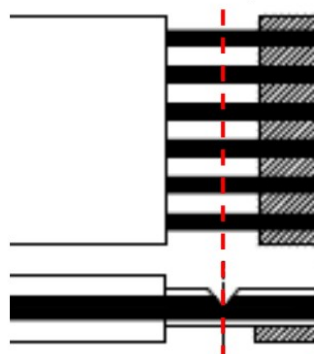
BEFORE CHANGE(S)

1. The original FFC is with a "plastic cap" to protect the ends of the metal pins.
2. The "plastic cap" should be removed before soldering.



AFTER CHANGE(S)

1. The new FFC is with metal pins ends attached on a protective plastic, a V-cut (the red dotted line) is added on the metal pins.
2. The protective plastic and the metal pins ends should be broken away at the V-cut line before soldering.



Thank you for your continued interest in SEACOMP products and services. For additional assistance or questions, please contact SEACOMP Customer Service at sales@seacomp.com or the sales contact you are working with.

Sincerely,
For and on behalf of SEACOMP

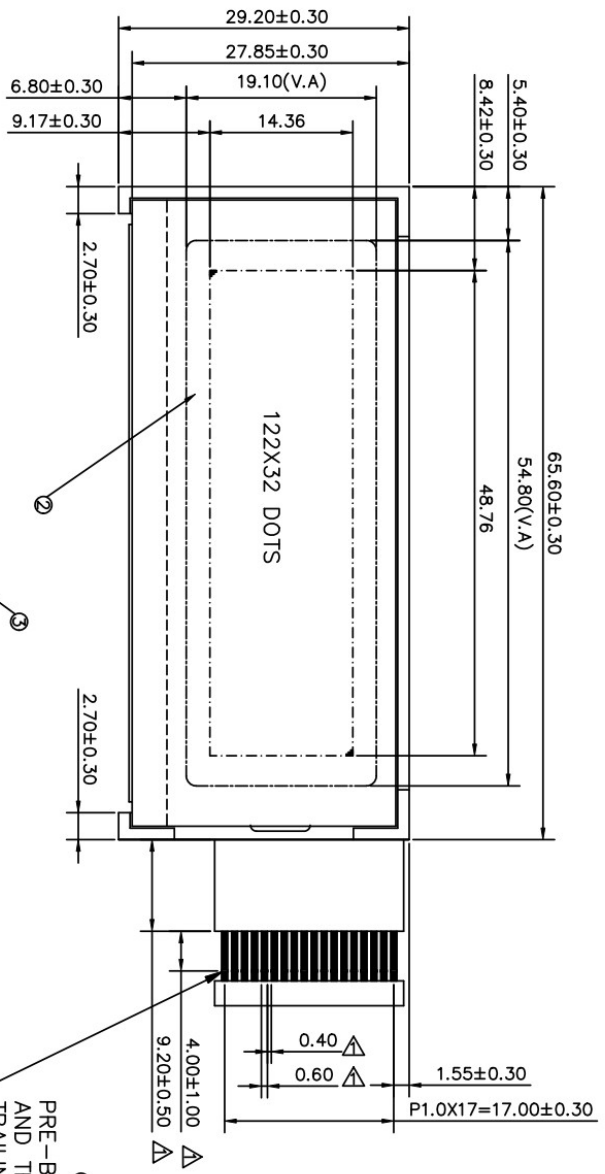
Cy Johnson
Director of Engineering

Remark: Updated drawings are attached.



CRN	ISSUE ZONE	REVISIONS	DATE	CHK	APPD
1		CHANGE FFC MANUFACTURER	19DEC12		

PRE-BREAK THE CONDUCTOR ALONG THE DOTTED LINE, AND THE CUSTOMER MUST BREAK THE RESERVED TRAILING EDGE BACK AND FORTH BEFORE USE.



1	2	3	4	5	6	7	8	9
VDD	VSS	VO	RST	E1	E2	R/W	AO	DBO
10	11	12	13	14	15	16	17	18
DB1	DB2	DB3	DB4	DB5	DB6	DB7	LED+	LED-

- REMARK:
- 1) VDD: 3.0V±0.3V
 - 2) LCD CHARACTERISTICS: Vop: 5.0V, Top: 0°C TO 50°C, Tstg: -10°C TO 60°C, 1/32D, 1/5B, STN-YELLOW GREEN, 6 0'CLOCK TRANSLLECTIVE
 - 3) LCD CONTROLLER: NJU6450
 - 4) RoHS COMPLIANCE

6	DIE	VARIOUS	
5	GLUE	VARIOUS	
4	FFC	VARIOUS	
3	HEATSEAL	VARIOUS	
2	LCD	VARIOUS	
1	PCB	VARIOUS	
NO	DESCRIPTION	MATERIAL	NOTE

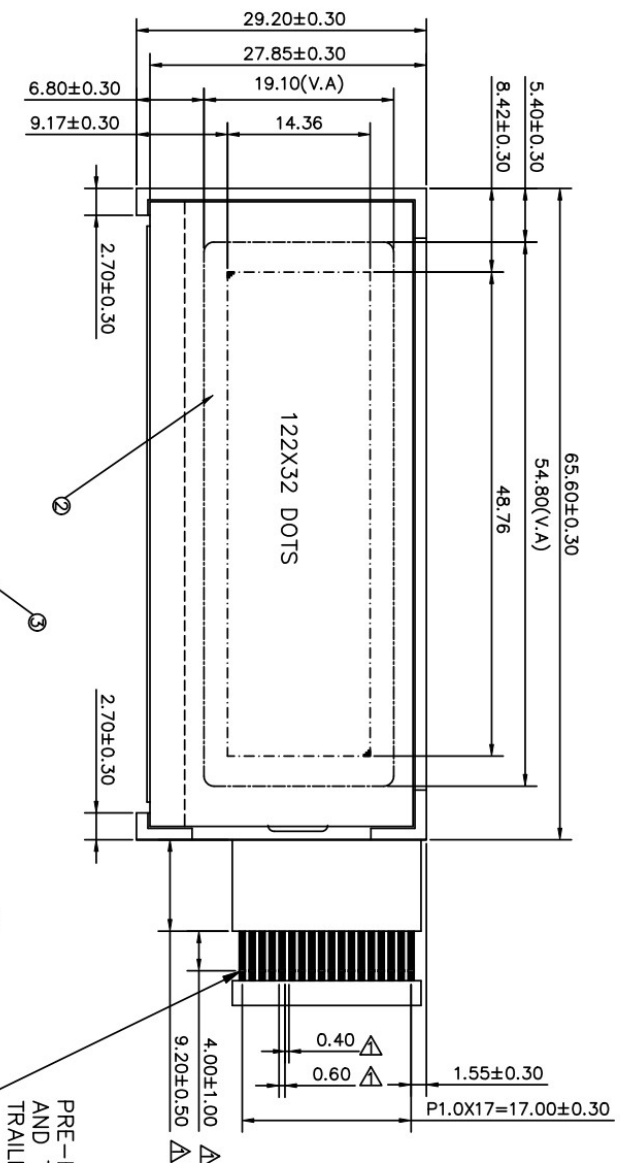
ALL DIMENSIONS ARE IN METRIC UNLESS SPECIFIED OTHERWISE	DO NOT SCALE DRAWING	TITLE:	RR#:
GENERAL TOLERANCE: LINEAR - .XX ±0.15 ANGULAR - ±1/2°	DATE: 12 DEC 19	32122A BC BC	B
CHK: LCH	DATE: 12 DEC 19	MODL: A578	PIEL NAME: A578Bos1

SCALE: 2/1 OR NOTED	APPD: DATE:	MATERIAL: REFER NOTE	FINISH: REFER NOTE
DISPLAYTECH LTD			

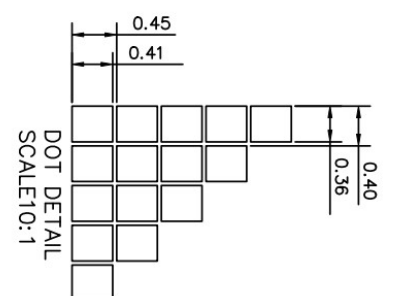


SH 1 OP 1 A3

CRV	ISSUE	ZONE	REVISIONS	DATE	CHK	APPD
	1		CHANGE FFC MANUFACTURER	19DEC12		



PRE-BREAK THE CONDUCTOR ALONG THE DOTTED LINE, AND THE CUSTOMER MUST BREAK THE RESERVED TRAILING EDGE BACK AND FORTH BEFORE USE.



1	VDD	2	VSS	3	VO	4	RST	5	E1	6	E2	7	R/W	8	AO	9	DB0
10	DB1	11	DB2	12	DB3	13	DB4	14	DB5	15	DB6	16	DB7	17	LED+	18	LED-

- REMARK:
- VDD: 3.0V±0.3V
 - LCD CHARACTERISTICS: Vop: 5.0V, Top: 0°C TO 50°C, Tstg: -10°C TO 60°C, 1/32D, 1/5B, STN-GREY, 6 0'CLOCK TRANSLFLECTIVE
 - LCD CONTROLLER: NJU6450
 - RoHS COMPLIANCE

NO	DESCRIPTION	DO NOT SCALE DRAWING	TITLE	REV
1	PCB		VARIOUS	
2	LCD		VARIOUS	
3	HEATSEAL		VARIOUS	
4	FFC		VARIOUS	
5	GLUE		VARIOUS	
6	DIE		VARIOUS	

GENERAL TOLERANCE:	DR: NOT SCALE DRAWING	TITLE:	32122A DC BC	REV:	B
LINEAR - X ±0.20	DR: DATE:				
ANGULAR - ±1/2°	LCZ: 12 DEC 19	MODR:	A783	FIBL NAME:	A783Bos1
ALL DIMENSIONS ARE IN METRIC UNLESS OTHERWISE SPECIFIED	CHK: DATE:	MODR:	A783	FIBL NAME:	A783Bos1
SCALE: 2/1 OR NOTED	APPD: DATE:	MATERIAL:	REFER NOTE	FINISH:	REFER NOTE

DISPLAYTECH LTD



SH 1 OF 1 A3